

EW4010
Comes in pairs



Universal indicator can be mounted on top or sides

WORKLIGHTS



EW4010 SERIES Heated LED Snowplow Worklight

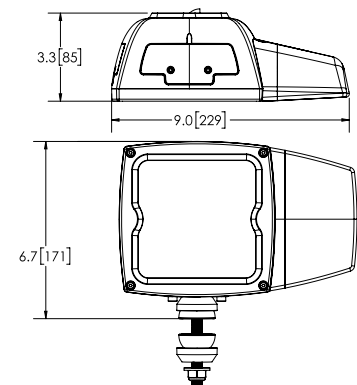
The EW4010 Series worklight offers the latest technology and the very brightest white light for your application. Designed for headlight replacement, as well as vehicles working in inclement weather, this LED model features a heated lens to melt away snow and ice and offers over 80,000 hours of maintenance-free life expectancy coupled with low amp draw. High-intensity light output and CE rating makes this LED worklight the ideal choice for a wide variety of applications. Additional features include 12-24 VDC operation, shock-resistant mounting, IP68 waterproof breather and a 5-year warranty.

Models

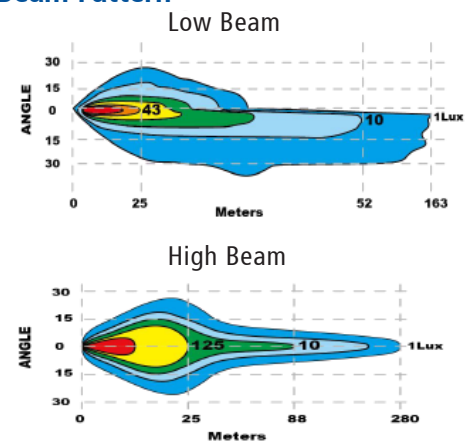
PART NO.	VOLTAGE	AMPS (Low Beam)	AMPS (High Beam)	RAW LUMENS (Low Beam)	RAW LUMENS (High Beam)
EW4010	12-24	1.6	3.2	1,075	1,800

Features and Benefits

- High Beam / Low Beam / Position Light / Indicator
- Snow-melt and anti-icing system (patented technology)
- Dual options for bottom and back mounting
- Multi-directional mounting for signal light (left/right/top)
- Unique aluminum heatsink housing design for maximum heat management
- Black powder-coated, diecast aluminum alloy housing and heat sink
- Tempered glass lens with polycarbonate reflector optics
- Units tested per SAE J994 random sinusoidal. Units vibrated for 30 minutes on a 15-minute cycle for a total of 6 hours at 10G along X, Y & Z axes.
- Integration of an automatic lens heater that turns on when ambient temperatures reach or get below (approximately) 35°F (2°C). The heater will self-regulate at a max temperature of 154°F (68°C) when operating.
 - 1 minute : 0°F (-18°C)
 - 5 minutes : 30°F (-1°C)
 - 10 minutes : 59°F (15°C)
 - 1 hour : 154°F (68°C) – the maximum temperature the light will reach



Beam Pattern



Accessories

- EZ4010-LIGHT - Universal Lighthouse w/o harness
- EZ4010-WIRE - 10' Replacement wire harness
- EZ4010-MK - Replacement mounting kit