

MINIBARS

Beacons | Lightbars | Directional LEDs | Worklamps | Back-Up Alarms | Camera Systems

5590 SERIES

SAE Class I 15" LED

The 5590 Series LED minibar features an innovative design combining Reflective and TIR Optic LED modules to provide superior 360° warning. The TIR Optic modules produce a highly intense, focused and long distance beam to the front and rear of the vehicle while the Reflective modules ensure optimum 360° coverage by producing a dispersed, wide-angle beam to the sides and corners. The 5590 also offers 18 flash patterns and permanent mount models can be synchronized to operate multiple lights alternately or simultaneously.

Models

PART NO.	DOMES COLOR	ILLUMINATION	VOLTAGE	AMPS	MOUNT
5590A	Amber	Amber	12-24	6.0	Permanent
5590CA	Clear	Amber	12-24	6.0	Permanent
5590CAC	Clear	Amber/Clear	12-24	6.0	Permanent
5590A-VM	Amber	Amber	12-24	6.0	Vacuum-Magnet
5590CA-VM	Clear	Amber	12-24	6.0	Vacuum-Magnet
5590CAC-VM	Clear	Amber/Clear	12-24	6.0	Vacuum-Magnet

OTHER COLOR OPTIONS AVAILABLE



Features and Benefits

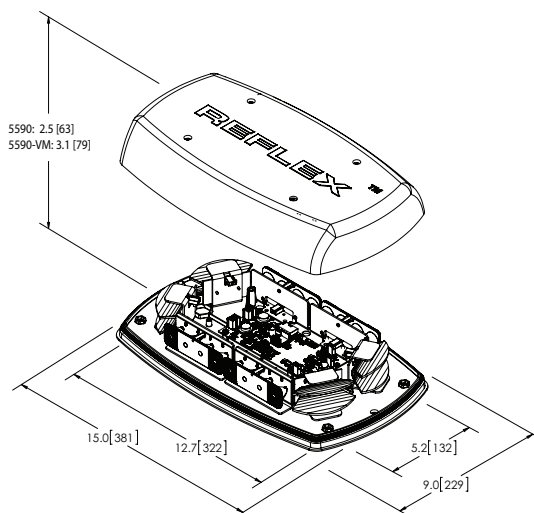
- Combines Reflective and TIR Optic LED modules to optimize focused front/rear warning and wide-angle side warning
- Choice of 18 flash patterns
- Synchronization capable (permanent mount only)
- Cigarette plug with on/off and flash pattern selection switch (vacuum-magnet only)
- SAE J845 Class I, California Title 13, CE, R10, IP65
- Temperature Range: -22°F to +122°F (-30°C to +50°C)
- Warranty: 3 years

Scan



Me

To view a 5590 Reflex™ Minibar product video, scan with any QR code reader app



Replacement Parts

- Domes: Amber - R5590LA
Clear - R5590LC